

# ..... < DG!250W/ < DG!300W Specification

## Product Picture



LED Flood Light < DG!250W/ < DG!300W Series

## Main Parameters

1. Product Name: : ŠÖÖÄQI [ äŠä @PÚÜĚ ĚY ÁP ÚÜĚĚY ÁŮ!a•
2. Adopting Super Brightness SMD LED Lighting Source which encapsulated by ourselves, Long lifespan, Energy saving, Environment friendly, High efficiency, No strobe, No ghosting, No UV or IR.
3. Integrating the LED lighting source and AL, without using extra cover, the LED Flood Light is compact and elegant, also the volume is small and the weight of the body is light, which make the led light of very good heat dissipation.
4. Using super bright and large size LED chip as LED lighting source, the lumen can reach 120lm/W; Adopting high efficiency PC lens and sand blast oxidation light cover, which can solve the problems such as light loss and color shading. It can assure the uniformity of flux and color.
5. Using high efficiency thermal conductivity silicon, it's assured the heat sink of the light, the temperature of the junction is bellow 65 °C, which is effective controlled the light degradation.
6. High efficiency Driver and very professional design, making the surface temperature of the light body below 60°C. The life span for the driver is over 50000 hours.
6. Wide range for the Input Voltage, say AC90V-305V, can be used globally. Unique protection circuit and exact constant current system assure the abilities such as anti-interference and stability of the light.

### **Application:**

LED Flood Light is widely used at building, factory, storage room, public parking lot, exhibition building, domestic block, gymnasium, gas station, Square, advertise, Lawn, Super market Wharf, Garden and other lighting places.

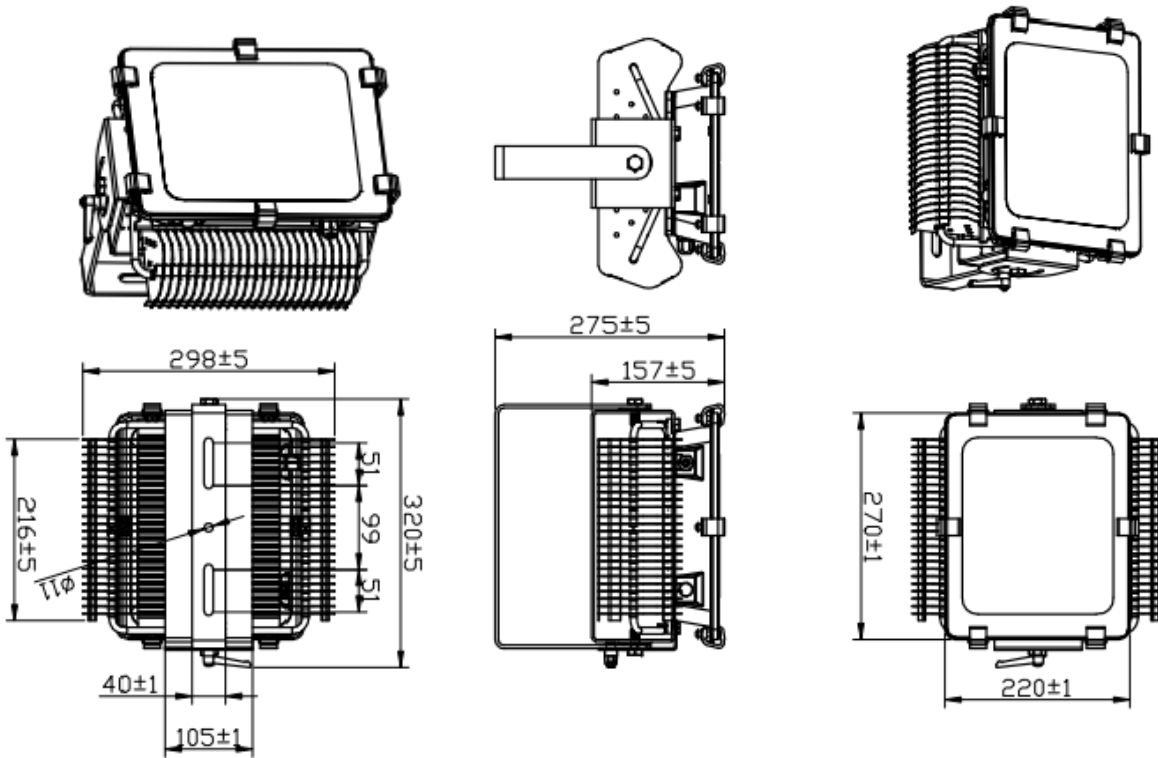
**LED Flood Light HPS-250W & HPS-300W Series**

## Main Technology Index:

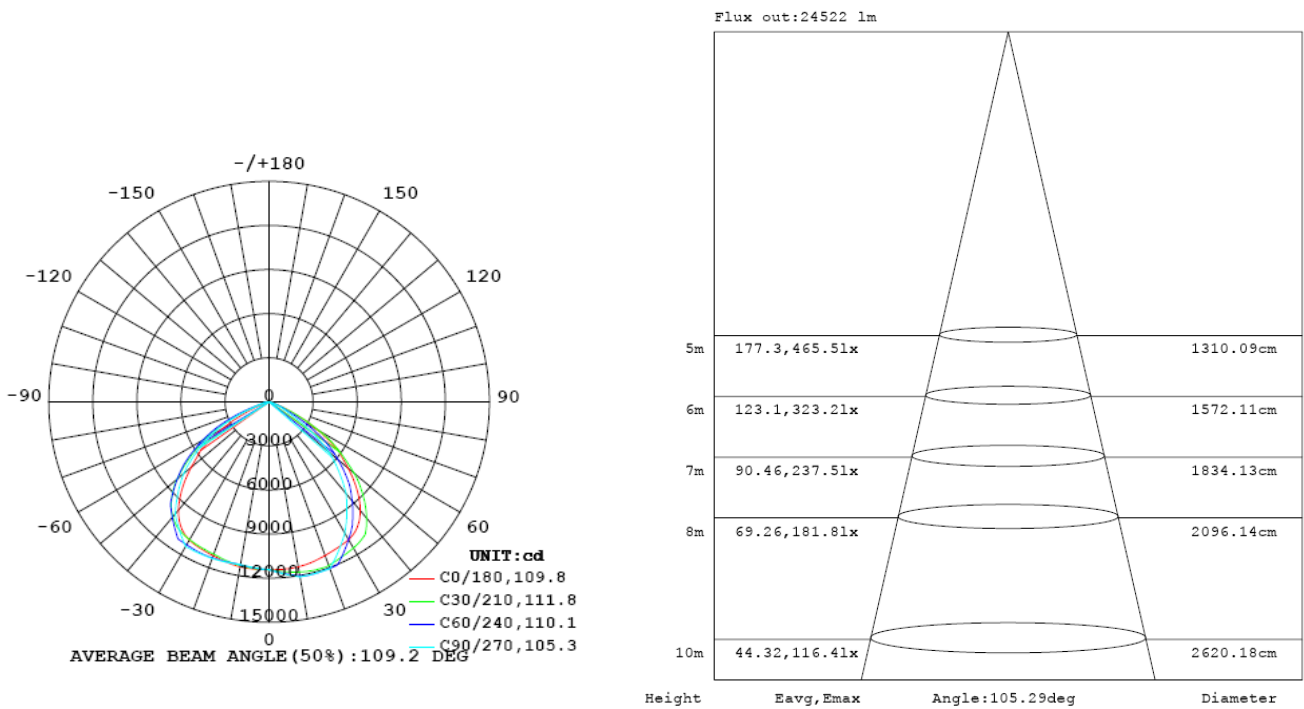
Model No.	HPS-250W & HPS-300W
Equivalent	500-600W High Pressure Sodium Lamp/metal halogen lamp
LED Light Source	280pcs Philips or OSRAM 3030 LED
LED Luminous Efficiency	> 140 lm
Lamp Total Power	250W / 300W
Power Efficiency	>94 % ( TAIWAN MEANWELL LED Driver UL/CB/PSE)
Lamp Rated Luminous Flux	>27500LM(250W) or 33000LM(300W)
Lamp Rated Luminous Efficiency	> 110lm/w
Color Rendering Index(CRI)	Ra>80 ( upgradeable to Ra90)
Color Temperature	Cool white: 5700K-7000K Pure white: 4000-4500K Warm white: 2600-3700K
Beam Angle	120°
Light Distribution Curve(Beam Pattern)	Asymmetric/ Rectangular Beam
Input Voltage	AC 90-305V
Frequency Range	47-63Hz
Power Factor(PF)	>0.95
Total Harmonic Distortion(THD)	< 10%
Storage Temperature	-40°C--+80°C
Working Environment	-30°C--+50°C ; 10%-95%RH
Junction Temperature(Tj)	60°C ± 10%(ta=25°C)
Light Body and Lampshade Material	Aluminum Alloy and Glass
Working Lifetime	> 50,000hrs
IP Rating	IP65 / IP67
Net Weight	6.25kg(250W) or 6.8kg(300W)
Gross Weight	7.75kg(250W) or 8.0kg(300w)
Package Size(mm)	412*412*550mm

## LED Flood Light HPS-250W & HPS-300W Series

# Product Size



# Lighting Distribution Curve



## LED Flood Light HPS-250W & HPS-300W Series

More Details Please Contact With Us



**Attention**

1. In order to make sure the light can work safety and stability, the ground line should be connected with earth.
2. When connecting the wires, please turn off the power, and check whether the wires are connected correctly. Never connect the wires in opposite way, or the power should not be turned on.
3. Please keep the trip bolt to be fastened and reliable, in case of the light fall down of looseness.
4. When finishing connected the wires, please use the insulation gummed tape to convolve the wires, confirm the insulation and solve the waterproof problem.

**Guarantee for the quality and sales service:**

INUI series Led flood light is a new style green energy saving led lighting, we offer 5 years warranty.

Any question happens when opening the package, please feel free to contact with our sales service department, we will ask our professional engineer to help you solve your question asap.

**INUI will not offer any guarantee in the following situation:**

- ◆ The damage due to incorrect installation and operation or using the light not in the regulated working ambient.
- ◆ The damage due to abusing or misusing, without well protection or happens in transition.
- ◆ The damage due to customers open the lamp without authored or replacement the INUI confirmed accessories by themselves.
- ◆ The Damage due to personal or nature disaster and other things can't be predicted.

**INUI LTD**

**Web: [www.inui.co.uk](http://www.inui.co.uk)**

**LED Flood Light HPS-250W & HPS-300W Series**