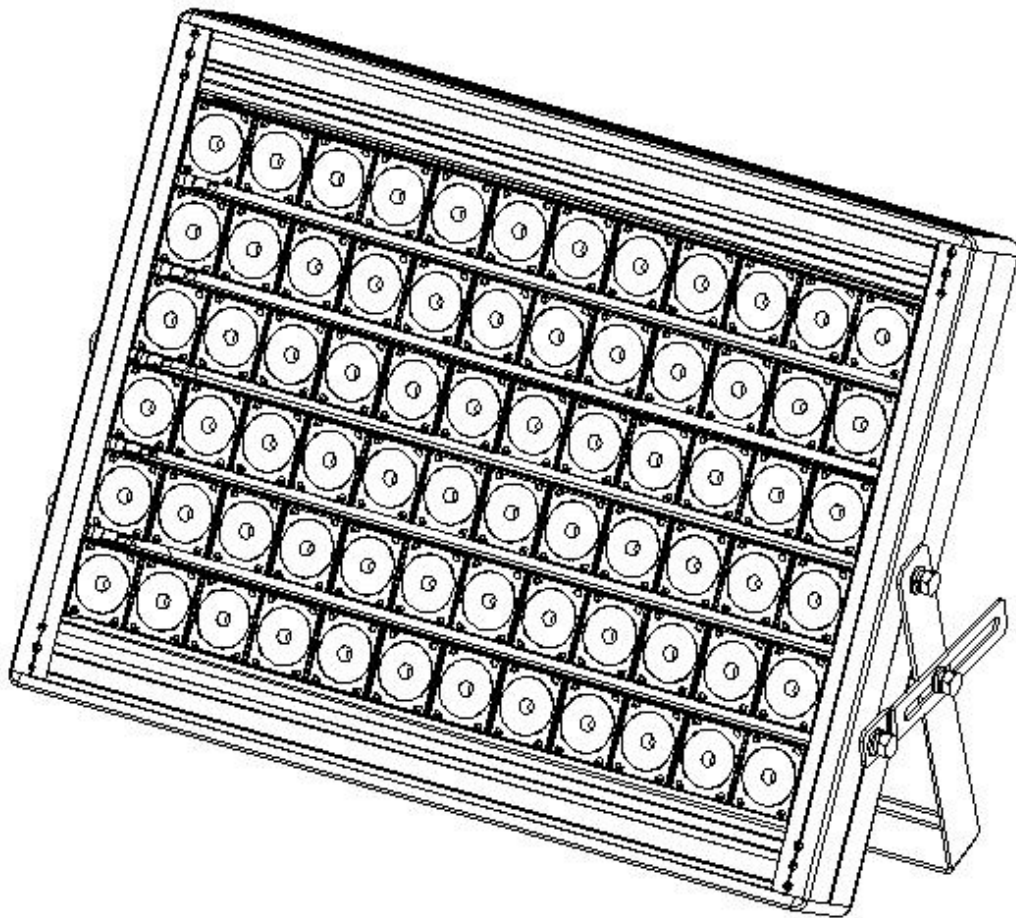


**""User Manual**  
**WKO UHN/722/y cw'**  
**""""500W led MarineLight**



## Customer Manual

- ▶Please read this user manual carefully before using.
- ▶Please keep this user manual to hand and leave a copy with end user.

### Caution:

- ▶In case of any damage to the light, customers who use this lamp please don't take apart the lamp or change any part of it.
- ▶If there is any abnormal condition after installation, such as smoking, peculiar smell, noise, etc. This may cause electric shock or a fire hazard. Turn off power immediately and make contact with your installation company. Customers shouldn't disassemble the lamp by themselves at any time.
- ▶Please ask your professional installation company or an electrical engineer to install the lamp, follow the user manual strictly. Any improper installation may cause falling, electric shock or a fire hazard.
- ▶Use a clean soft cloth with soapy water only for cleaning, then wipe with dry soft cloth. Sprit, acetone or any other organic solvent is NOT recommended in case of corroding the lamp body or rubber seals.
- ▶Please follow the wiring diagram strictly, any mistake may cause electric shock or permanent damage.

### Electric light source parameters:

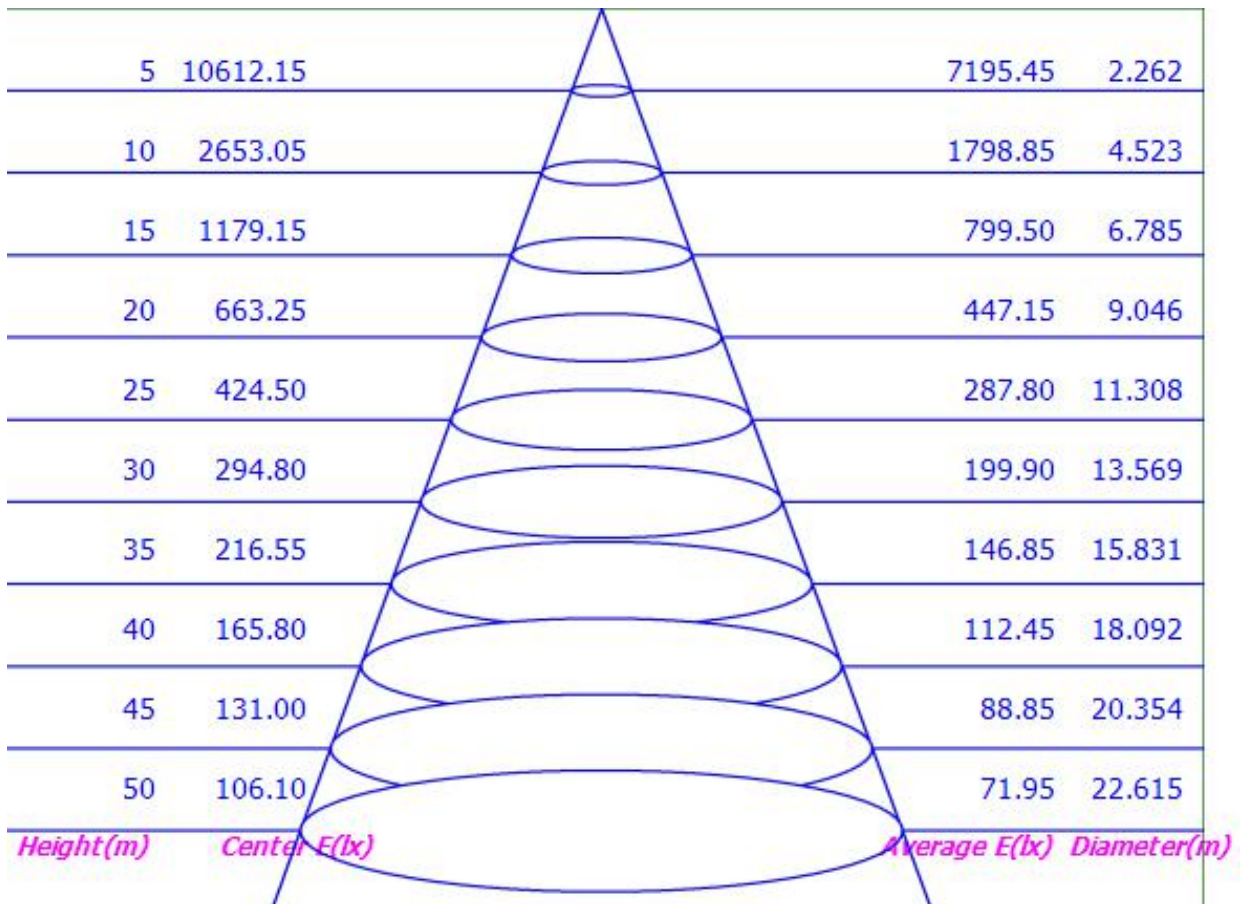
<b>ITEM NO</b>	INUI-MSFL-720	<b>Power</b>	722-watt
<b>Light Source</b>	Bridgelux	<b>Input Voltage</b>	90-295VAC 50-60HZ
<b>Power Factor (PF)</b>	≥0.95	<b>Power Efficiency</b>	≥90%
<b>Light Angle</b>	10° 25° , 40° , 60° 90° 120°	<b>Colour Temp</b>	2700-3500K 4500-5500K 6000-6500K
<b>Colour Index(CRI)</b>	80	<b>LED Luminous Efficiency</b>	160lm / Watt
<b>Luminous Flux (Typ)</b>	: 2200lm	<b>Equal Flux (Typ.)</b>	382200lm
<b>Work Temperature:</b>	- 40 ° C ~ 65 ° C	<b>Storage Temperature</b>	- 40 ° C ~ 80 ° C
<b>Working Humidity</b>	10 % ~ 90 % RH	<b>IP Rating</b>	IP68
<b>Life Span</b>	≥80000 hours	<b>Light Attenuation(80000h)</b>	30%
<b>Light Body Size (L*W*H)</b>	878x722x75mm	<b>Lamp Net Weight(KG)</b>	180kg
<b>Package Size (L*W*H)</b>	960x537x180mm	<b>Total Weight(KG)</b>	440 kg

**IES Flood Report**  
**Photometric Filename:INUI-MSFL-500-25de.ies**

**Illuminance-Distance Diagram**

<b>Lum.Name:</b>	<b>INUI-MSFL-500-25de</b>	<b>Colour Temp:</b>	<b>5000-6000k</b>
<b>Lamp Name:</b>	<b>500w led marine light 25de</b>	<b>Colour Index(CRI)</b>	<b>80</b>
<b>Light Source</b>	<b>Bridgelux</b>	<b>LED Luminous Efficiency</b>	<b>160lm / Watt</b>

**Illuminance-Distance Curve**



**Beam Angle:25**

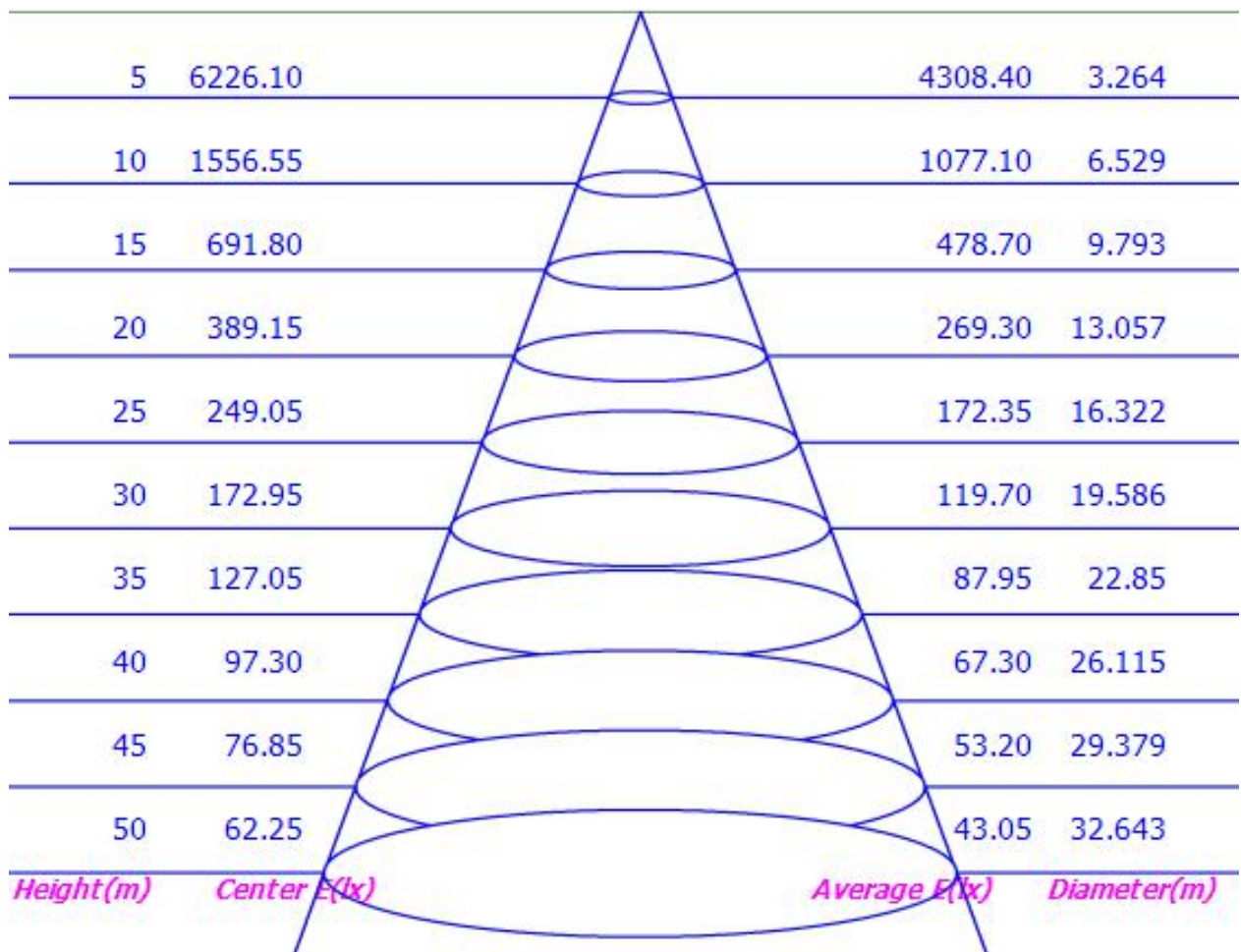
# IES Flood Report

Photometric Filename:INUI-MSFL-500-40de.ies

## Illuminance-Distance Diagram

Lum.Name:	INUI-MSFL-500- 40de	Colour Temp:	5000-6000k
Lamp Name:	500w led marine light 40de	Colour Index(CRI)	80
Light Source	Bridgelux	LED Luminous Efficiency	160lm / Watt

## Illuminance-Dtance Curve



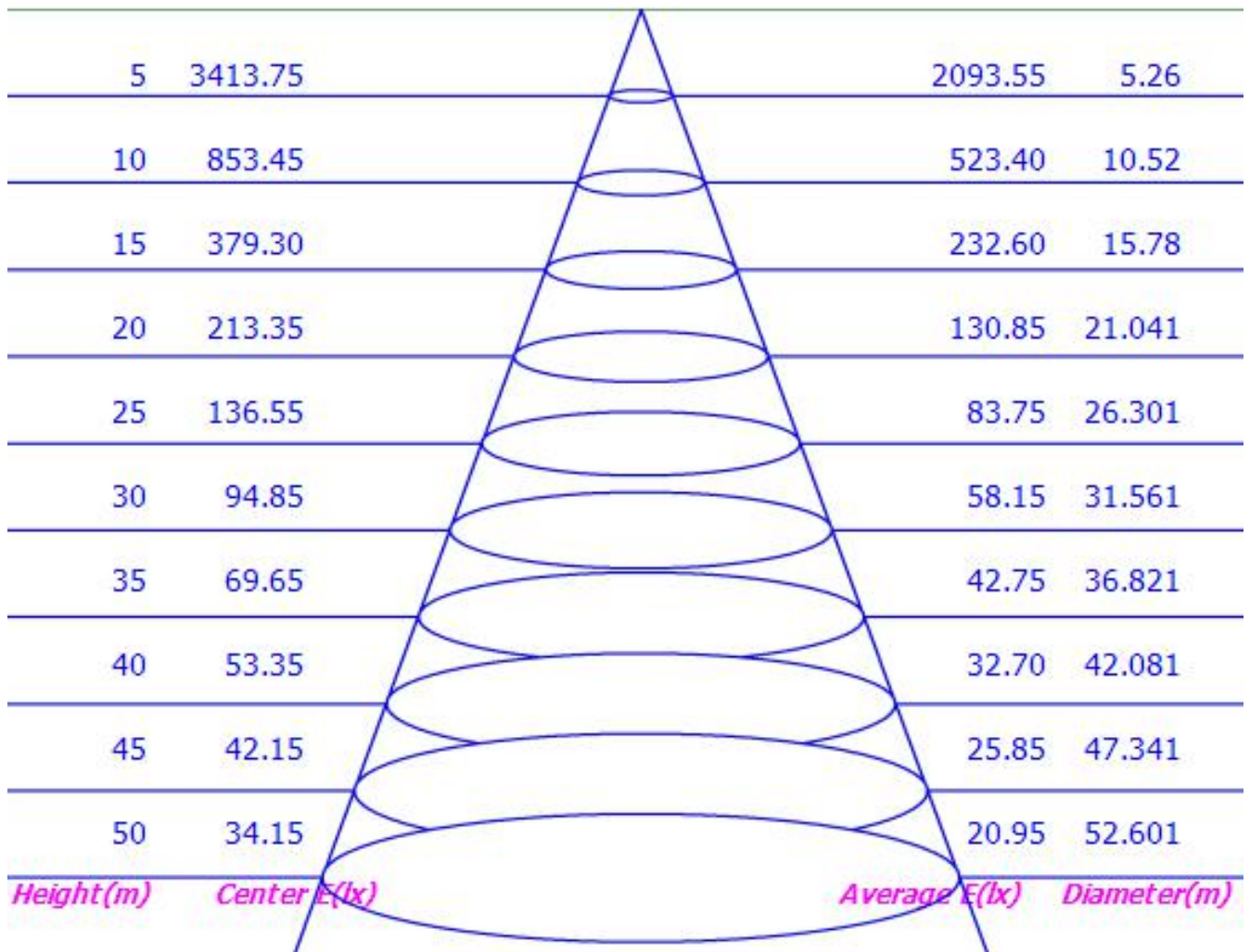
Beam Angle:40

**IES Flood Report**  
**Photometric Filename:INUI-MSFL-500-60de.ies**

**Illuminance-Distance Diagram**

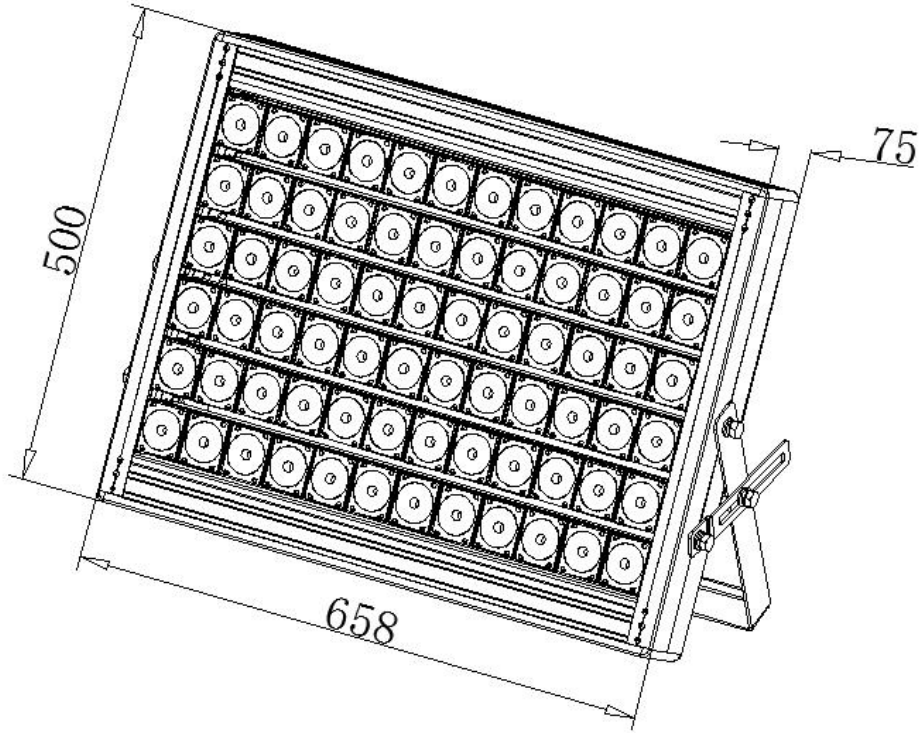
<b>Lum.Name:</b>	INUI-MSFL-500- 60de	<b>Colour Temp:</b>	5000-6000k
<b>Lamp Name:</b>	500w led marine light 60de	<b>Colour Index(CRI)</b>	80
<b>Light Source</b>	Bridgelux	<b>LED Luminous Efficiency</b>	160lm / Watt

**Illuminance-Dtance Curve**

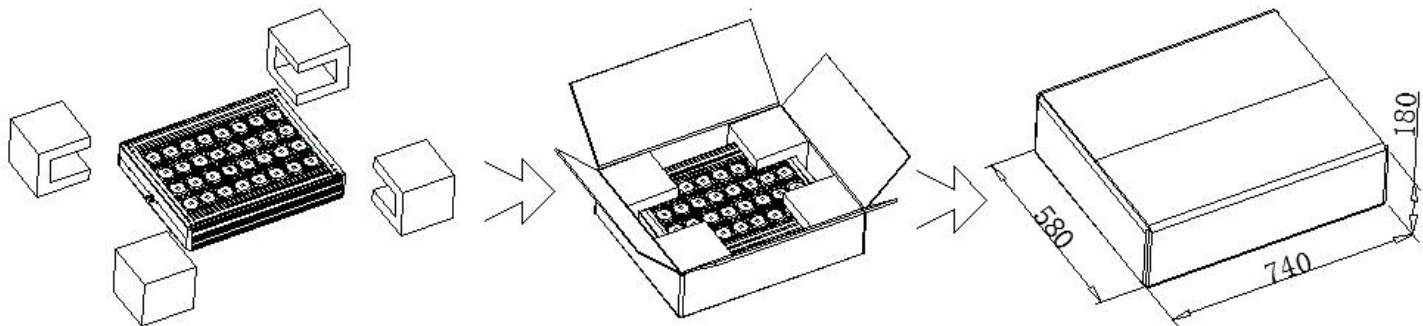


**Beam Angle:60**

**Dimension: :boundary dimension**  
unit (mm)

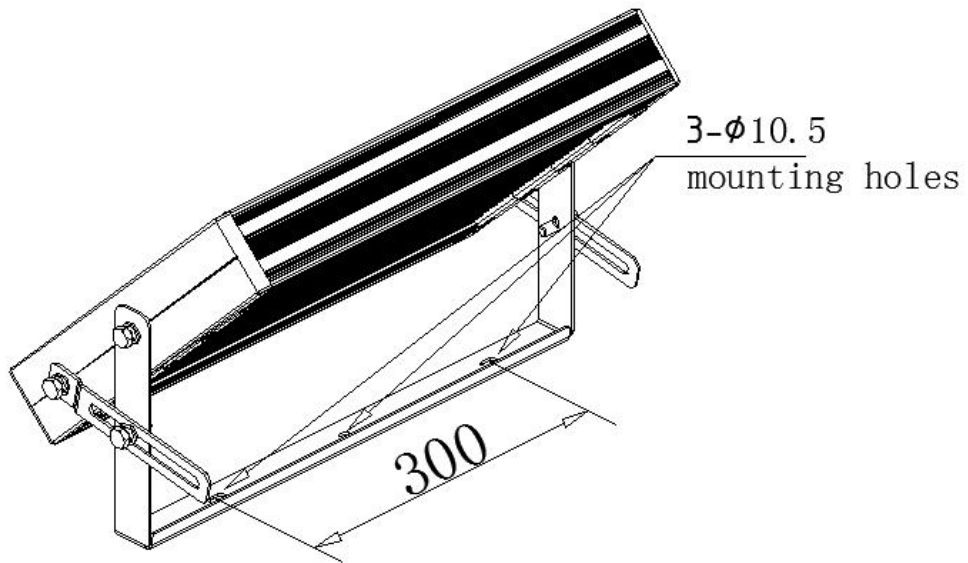


**Package size:**  
unit (mm)

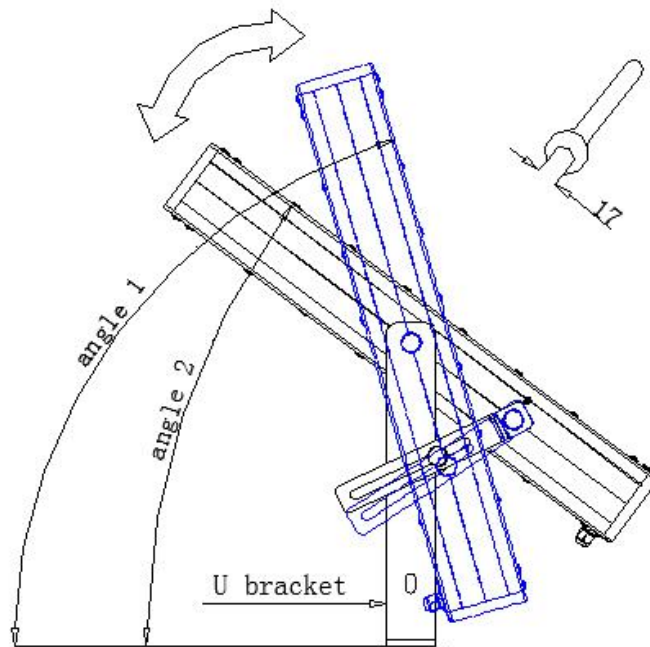


**Installation procedure:**

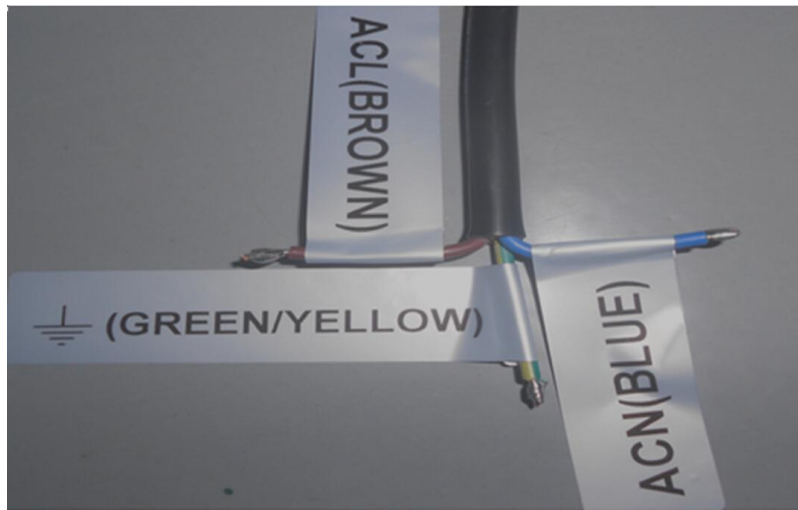
1. As shown the three holes to install the product on the user installation plane



2. According to user requirements adjust the angle of the U bracket and luminous surface then use wrench(17Nm) tighten the bolts and make sure the bracket is firmly connected with the luminaire body



3. Connect the power cables as below

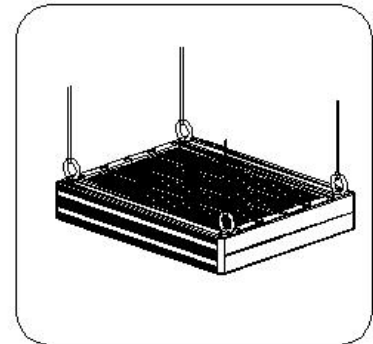
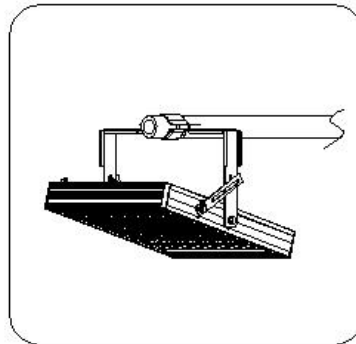
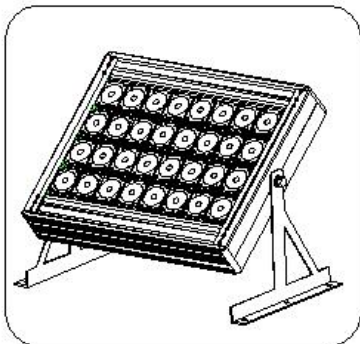


AC Live: Connect the Brown input

AC Neutral: Connect the Blue input

Ground Earth: Connect the Green/Yellow input

4 The user can also choose other installations as below



4. Power Switch on, make sure light on.

5. All done.

Remark:

1. Make sure power off when installing or changing spare parts;
2. Make sure local working voltage could match the lamp.