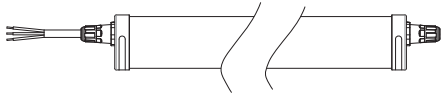


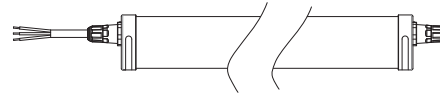
Non Dimmable Tri-proof LED Lamp



(EU market-3 pole cable) (US market-3 pole cable)

L:	Brown	Black
N:	Blue	White
E:	Yellow-Green	Green

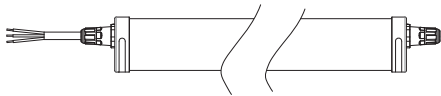
0/1-10V Dimmable Tri-proof LED Lamp



(EU market-5 pole cable) (US market-5 pole cable)

L:	Brown	Black
N:	Blue	White
E:	Yellow-green	Green
DIM+:	Black	Red
DIM-:	Gray	Orange

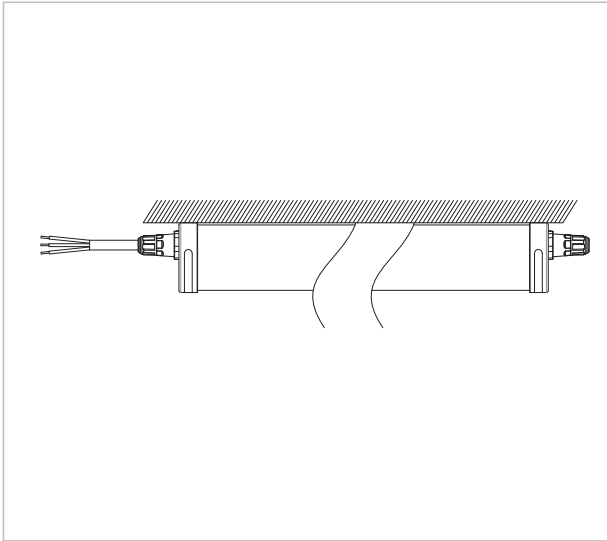
DALI Dimmable Tri-proof LED Lamp



(EU market-5 pole cable) (US market-5 pole cable)

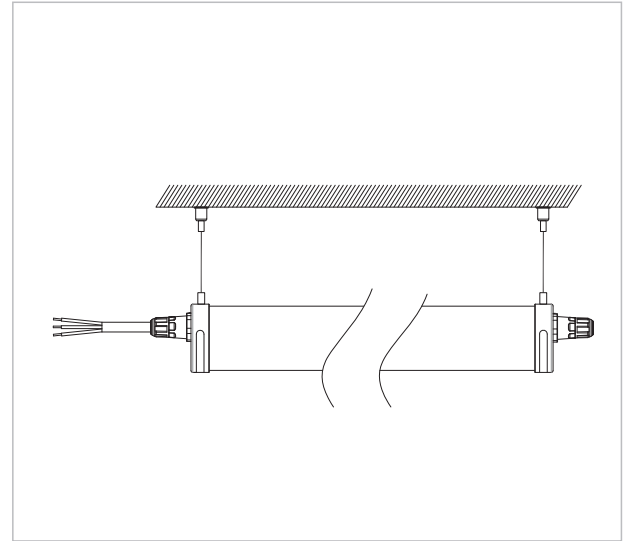
L:	Brown	Black
N:	Blue	White
E:	Yellow-green	Green
DA:	Black	Red
DA:	Gray	Orange

Ceiling Mounted Installation



* Standard configuration

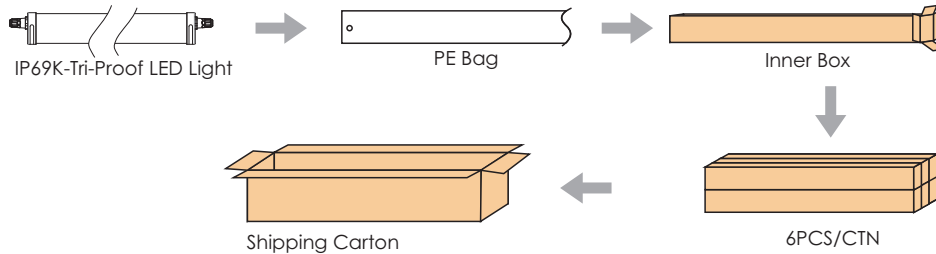
Suspended Installation



* Suspended accessories need to be paid additionally

Package

Item code	Dimension	Carton Size	N.W./PC	G.W./CTN	Maximum Loading of		
					20'GP	40'GP	40'HQ
Đ* - -20-() \$\$	690*74*78mm	700*165*250mm	1.2kg	9kg	1050CTNs	2249CTNs	2475CTNs
Đ* - ?-36-() \$\$	1290*74*78mm	1300*165*250mm	2.2kg	16kg	556CTNs	1164CTNs	1344CTNs
Đ* - ?-45-() \$\$	1590*74*78mm	1600*165*250mm	2.7kg	20kg	452CTNs	942CTNs	1068CTNs



Reminding: Do not install this lamp into water directly to avoid any potential safety risks caused by AC input.

All the above information is subject to the final interpretation of 𐄀 𐄀.