



Modular ATEX Flood Light series LED Explosion Proof Light (Bracket)



EX marking: Ex db de mb IIC T4/T5/T6 Gb
Ex tD IIIC T130°C/T95°C/80°C Gb



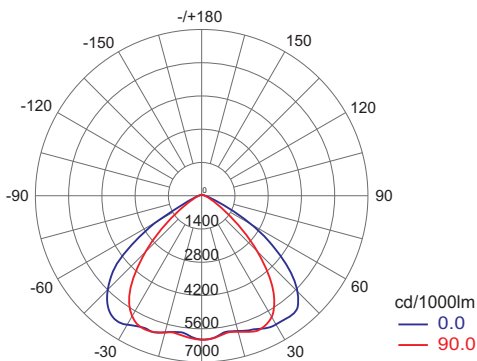
Application

This product is widely used as work lighting in dangerous places such as petroleum exploration, oil refining, chemical industry, and power plants; Applicable to places with high humidity and corrosion protection; Suitable for explosive gas or dust environment zone 1, zone 2, or zone 21, zone 22; Suitable for IIA, IIB, IIC explosive gas environment; Suitable for temperature group T1~T6 group; Applicable ambient temperature is -40°C ~ +40°C/ +55°C.

Characteristics

- The lamp adopts modular design, and the module can be quickly replaced without welding on site;
- The lamp housing is made of copper-free aluminum, anodized or sprayed with high-grade anti-corrosive plastic powder. The mounting bracket and standard parts are made of SUS304 stainless steel, which can be used in high corrosive environments for a long time;
- Adopt a unique heat dissipation structure, semi-closed and transparent heat dissipation structure to ensure efficient heat conduction, radiation and convection, so as to ensure the service life of the LED;
- The illumination is uniform within the illumination range of the lamp, and the illumination angle is 80X100 degrees, which fully utilizes the light;
- The protection level reaches IP66, which can effectively resist heavy rain;
- Can be connected in parallel, eliminating the junction box and installation costs;
- The light source adopts international brands, the whole light efficiency is greater than 125lm/W, and the power consumption is only 40% of the metal halide lamp;
- All key components of the power supply adopt world-renowned brands, which are efficient and stable;
- The bracket and standard parts could be customized by 316 stainless steel, which can be used in anti-corrosion environments such as offshore platforms for a long time.

Light distribution curve



Main Specification

Item	Technical parameter
Rated voltage	120~277VAC (30W~60W/100W/120W/150W/180W/240W/300W)
Rated frequency	50Hz / 60Hz
CRI(Ra)	70(80 optional)
CCT	5000K (3000K/ 4000K optional)
Screw thread	M20×1.5(G1/2, G3/4, NPT3/4, NPT1/2, M25×1.5)



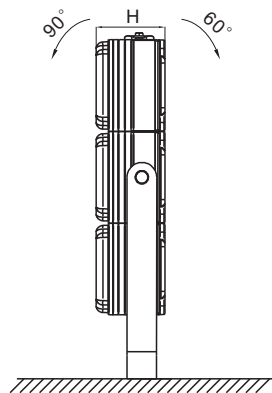
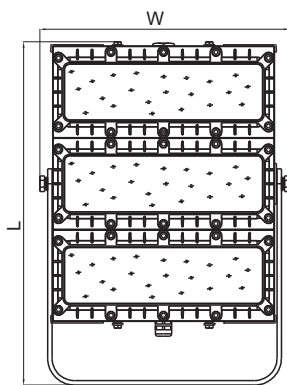
Modular ATEX Flood Light series LED Explosion Proof Light (Bracket)

Ordering reference

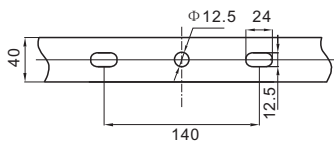
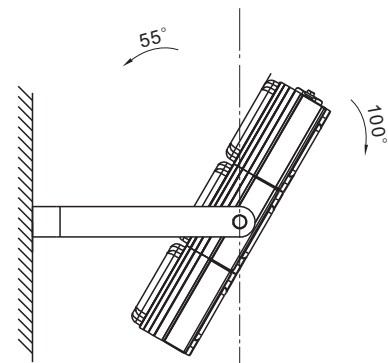
Model number/ module number	Rated wattage(W)	Light output (lm)	Net weight (Kg)	Space height ratio	Mounting Height(m)	Dimension(mm)	Replace to
							Metal Halide Lamp
INUIMODATEX-L60/ 1	60	7600	5	1.4	5~8	212(L)X338(W)X93(H) (30~80W)	150W
INUIMODATEX-L100/ 2	100	12675	8.3		8~12	337(L)X338(W)X93(H) (100~120W)	250W
INUIMODATEX-L120/ 2	120	14803			8~12		250W~400W
INUIMODATEX-L150/ 3	150	18675	12.4		10~15	464(L)X338(W)X93(H) (150~180W)	400W
INUIMODATEX-L180/ 3	180	22409			10~15		400W
INUIMODATEX-L240/ 4	240	28035	15.8		15~20	587(L)X338(W)X93(H)	600W
INUIMODATEX-L300/ 5	300	38025	19.5		15~20	711(L)X338(W)X93(H)	600W~1000W

Drawing of dimension (Dimensions in mm)

Bracket mounted



Side wall mounted



Installation size